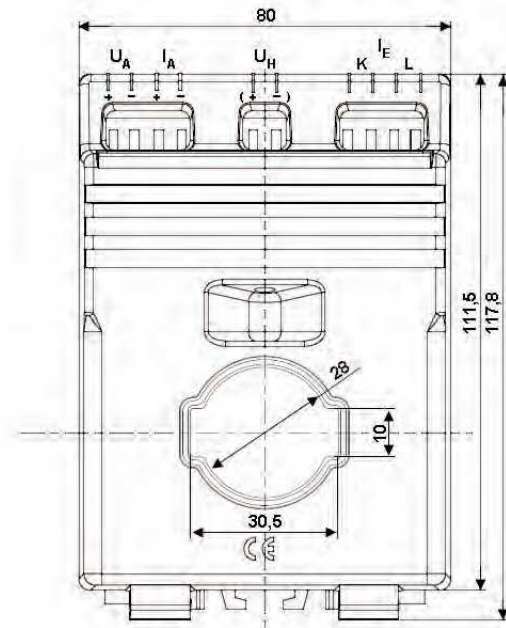


1. Auxiliary power supply 230 V AC

Type SWMU	Primary current [A]	Measuring output			
		0 ... 20 mA and 0 ... 10V	4 ... 20 mA and 0 ... 10V	0 ... 20 mA and 2 ... 10V	4 ... 20 mA and 2 ... 10V
31.52	1	31-1006	31-2006	31-3006	31-4006
	5	31-1007	31-2007	31-3007	31-4007
	10	31-1008	31-2008	31-3008	31-4008
	15	31-1009	31-2009	31-3009	31-4009
31.51	20	31-1010	31-2010	31-3010	31-4010
	25	31-1011	31-2011	31-3011	31-4011
	30	31-1012	31-2012	31-3012	31-4012
	40	31-1013	31-2013	31-3013	31-4013
	50	31-1014	31-2014	31-3014	31-4014
	60	31-1015	31-2015	31-3015	31-4015
	75	31-1016	31-2016	31-3016	31-4016
	100	31-1017	31-2017	31-3017	31-4017
	150	31-1018	31-2018	31-3018	31-4018
	200	31-1019	31-2019	31-3019	31-4019
	250	31-1020	31-2020	31-3020	31-4020
	300	31-1021	31-2021	31-3021	31-4021
	400	31-1022	31-2022	31-3022	31-4022
	500	31-1023	31-2023	31-3023	31-4023
	600	31-1024	31-2024	31-3024	31-4024
	750	31-1025	31-2025	31-3025	31-4025

measuring frequency 50/60 Hz
weight: 350 g



Depth: 50 (72) mm

2. Auxiliary power supply 24 V DC

Type SWMU	Primary current [A]	Measuring output			
		0 ... 20 mA and 0 ... 10V	4 ... 20 mA and 0 ... 10V	0 ... 20 mA and 2 ... 10V	4 ... 20 mA and 2 ... 10V
31.52	1	31-5006	31-6006	31-7006	31-8006
	5	31-5007	31-6007	31-7007	31-8007
	10	31-5008	31-6008	31-7008	31-8008
31.51	15	31-5009	31-6009	31-7009	31-8009
	20	31-5010	31-6010	31-7010	31-8010
	25	31-5011	31-6011	31-7011	31-8011
	30	31-5012	31-6012	31-7012	31-8012
	40	31-5013	31-6013	31-7013	31-8013
	50	31-5014	31-6014	31-7014	31-8014
	60	31-5015	31-6015	31-7015	31-8015
	75	31-5016	31-6016	31-7016	31-8016
	100	31-5017	31-6017	31-7017	31-8017
	150	31-5018	31-6018	31-7018	31-8018
	200	31-5019	31-6019	31-7019	31-8019
	250	31-5020	31-6020	31-7020	31-8020
	300	31-5021	31-6021	31-7021	31-8021
	400	31-5022	31-6022	31-7022	31-8022
	500	31-5023	31-6023	31-7023	31-8023
	600	31-5024	31-6024	31-7024	31-8024
	750	31-5025	31-6025	31-7025	31-8025

measuring frequency 50/60 Hz
weight: 250 g

3. Without power supply

Type SWMU	Primary current [A]	Measuring output
		0 ... 20 mA and 0 ... 10V
32.52	1	31-9006
	5	31-9007
	10	31-9008
32.51	40	31-9013
	50	31-9014
	60	31-9015
	75	31-9016
	100	31-9017
	150	31-9018
	200	31-9019
	250	31-9020
	300	31-9021
	400	31-9022
	500	31-9023
	600	31-9024
	750	31-9025

power requirements $P_E \geq 2,5 \text{ VA}$!
measuring frequency 50/60 Hz
weight 600g
operating range 15 ... 120 % I_N